

## Pedestrian Turnstile ACTS30



The ACTS30 offers a taller, more secure and more imposing barrier for higher security requirements. Combining Stainless Steel and Glass gives the ACTS30 an open appearance whilst maintaining a commanding presence.

### Maximum Security

Available in various heights up to 1.8 metres tall, the ACTS30 is easy and intuitive to use with swinging glass barriers. The ACTS30 includes the latest 32 beam-path platform to provide maximum security infrared detection.

### Accurate Detection

The highly complex range of beams detects and deters tailgates in very close proximity, and the ACTS30 is designed to integrate seamlessly with Access Control, CCTV and whole building management systems. By receiving information

From your Access Control system, ACTS30 knows how many people to admit and in which direction of travel. Any unexpected movements of traffic are instantly met with an audible and visual alarm and signals can be passed to your Access Control or CCTV system to acknowledge an alarm condition has occurred.

### Reliability

ACTS30 now features fast Ethernet communications for control, configuration and diagnostics. High build quality lowers the whole life costs of the unit, fewer failures mean lower repair costs and less downtime, and online diagnostics and remote support packages reduces the need for an engineers attendance to every technical issue which may occur. The barriers also open in a smooth action in a door-like motion and open into the footprint of the barrier, thereby reducing the possibility of a user coming in contact with the moving leaf.

Call us:

1890 274 273

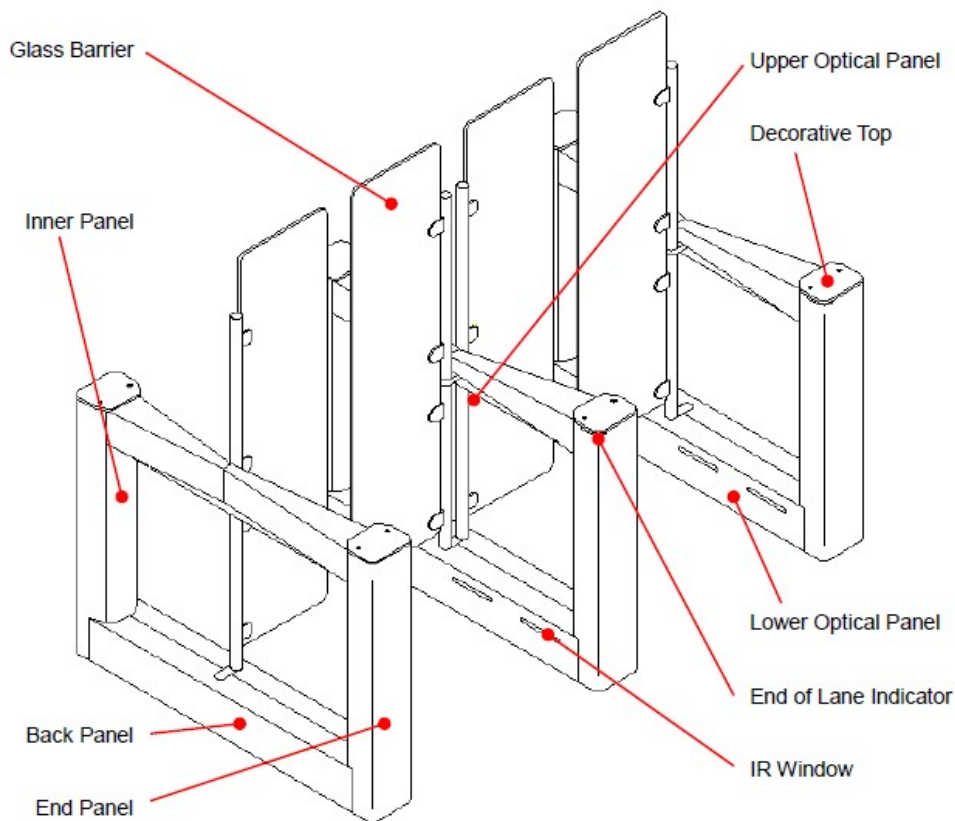
Visit us:

Unit C Purcellsinch Industrial Estate,  
Old Dublin Road, Kilkenny, R95 EH52

Email / Website:

admin@actec.ie  
www.actec.ie

# Turnstiles



## Technical Specifications:

Dimensions L x W x H:	1408 x 218 x 1063 mm
Standard Lane Width:	660 mm
Barrier Height (4 options):	1061 / 1200 / 1500 / 1800mm
Barrier Material:	10/12mm Toughened Safety Glass EN14179 / ANSI97.1
Barrier Speed of Operation:	< 1 second
Tailgate detection distance:	5mm
Temperature Range:	5°C to 50°C
Relative Humidity:	5 to 95% non-condensing
Power Supply:	24Vdc—3A
Ingress Protection:	IP20 Internal Applications Only
Optical system performance:	1 person per second
Typical Application:	20 persons per minute



## Auxiliary Connections:

### Access Control Inputs:

- Entry Request Volt Free Contact
- Visitor Entry Momentary Contact
- Fire Alarm Opto-coupled Input (12-24Vc @ 25mA nominal)
- Ethernet Connection via RF45 TCP/IP Port

### Access Control Outputs:

- Entry Monitor Volt Free Contact
- Exit Monitor Volt Free Contact
- Alarm 1 Output opening for 1—16 seconds
- Alarm 2 Output opening for 1 second

Contact us for more information