

Sliding Door Automation

ACSL10 (EN16005:2002 compliant)



The ACSL10 sliding door operator is one of the most versatile, safe and reliable door operators on the market. It's appealing slim design, high performance and wide range of accessories for convenience, safety and security makes the ACSL10 the ideal choice for all controlled environments.

Convenience

The ACSL10 is designed to meet all the demanding requirements for reliability, silent operation and user friendliness. The pre-programmed control system includes a variety of settings and functions to optimize the ACSL10 operation for your unique automatic entrance. With an adjustable hold open time which can be configured to suit your specific requirements, and a built in interlock function, the ACSL10 is at home in all controlled environment scenarios.

Safety and Security

The ACSL10 is designed with safety and security in mind. Being available in three different safety versions, the ACSL10 complies with all major safety standards for a wide range of door applications including escape routes. All models are compliant with mandatory EN16005:2012 requirements, and the optional addition of extra safety features such as redundant motor power supply and back-up batteries. To comply with the highest level of safety, the ACSL10 is also available as a 2 motor version with the motors working independently of each other. When the first motor fails operating, the second motor automatically starts powering the door. The reverse on obstruction feature immediately reverses the direction of the motor when an obstacle is encountered, and after a period of time the door then starts closing at a slower speed to check if the obstruction has been cleared from the entrance.

Call us:

1890 274 273

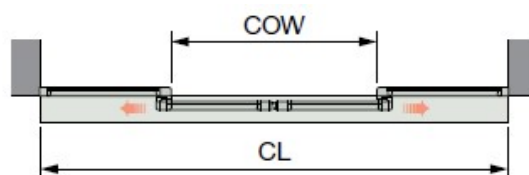
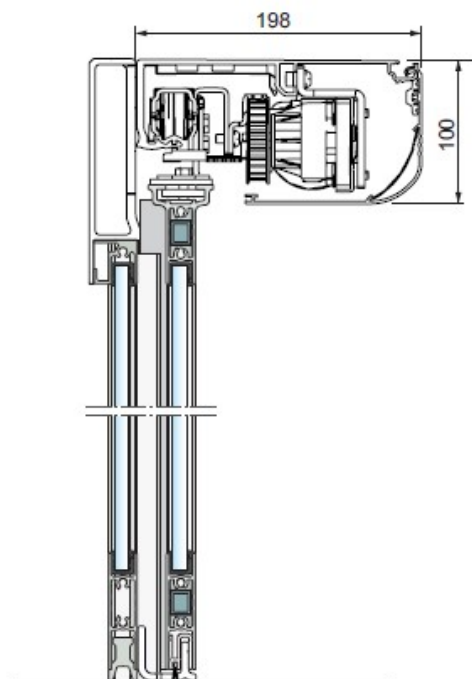
Visit us:

**Unit C Purcellsinch Industrial Estate,
Old Dublin Road, Kilkenny, R95 EH52**

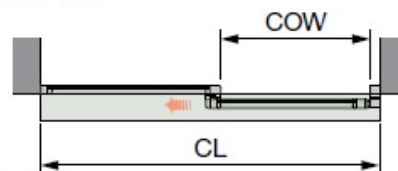
Email / Website:

**admin@actec.ie
www.actec.ie**

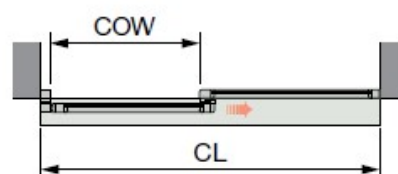
Swing / Sliding Automations



Bi-parting



Left opening



Right opening

COW = Clear opening width
CL = Cover length

Technical Specifications:

Power Supply:	100-240Vac, +10/-10%, 50/60Hz
Power Consumption:	Max 250W
Maximum Door Weight (with optional heavy duty rollers):	1 @ 240Kg 2 @ 200Kg
Ambient Temperature:	-20° to + 50° C
Relative Humidity (non-condensing):	Max. 85%



Accessories

- Emergency Unit with backup battery pack
- Stainless Steel Canopy
- Motion Sensors
- Operation Mode Selector
- Electrical Locks
- Microswitch Kit
- Locked door indicator
- Break-out unit
- Fire Alarm connection
- Nurse Function (for partial opening)
- Remote Exit Control
- Radio transmitter activation of door for non-contact operation

Contact us for more information