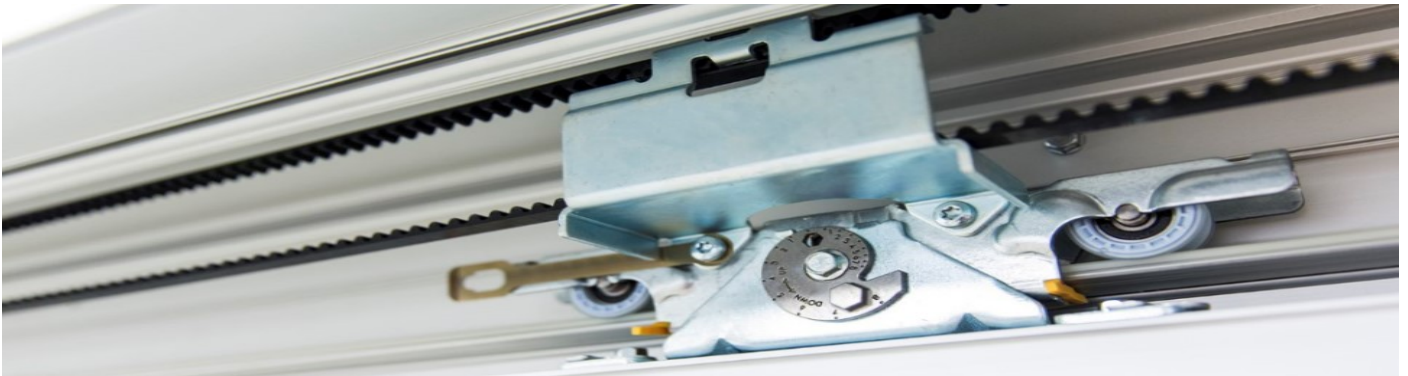


Sliding Door Automation

ACSL20 (EN16005:2002 compliant)



The ACSL20 sliding door operator is one of the most versatile, safe and reliable door operators on the market. With a slimmer and deeper profile than the ACSL10, it can easily be integrated into an aesthetically pleasing architectural entrance, and its wide range of accessories makes it the ideal choice for all entrances.

Convenience

The ACSL20 is designed to meet all the demanding requirements for reliability, silent operation and user friendliness. The pre-programmed control system includes a variety of settings and functions to optimize the ACSL20 operation for your unique automatic entrance. With an adjustable hold open time which can be configured to suit your specific requirements, and a built in interlock function, the ACSL20 is at home in all controlled environment scenarios.

Safety and Security

The ACSL20 is designed with safety and security in mind. Being available in three different safety versions, the ACSL20 complies with all major safety standards for a wide range of door applications including escape routes. All models are compliant with mandatory EN16005:2012 requirements, and the optional addition of extra safety features such as redundant motor power supply and back-up batteries. To comply with the highest level of safety, the ACSL20 is also available as a 2 motor version with the motors working independently of each other. When the first motor fails operating, the second motor automatically starts powering the door. The reverse on obstruction feature immediately reverses the direction of the motor when an obstacle is encountered, and after a period of time the door then starts closing at a slower speed to check if the obstruction has been cleared from the entrance. The ACSL20 is suitable for a wide range of applications.

Call us:

1890 274 273

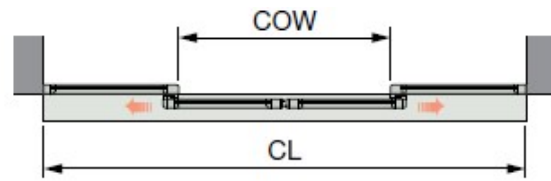
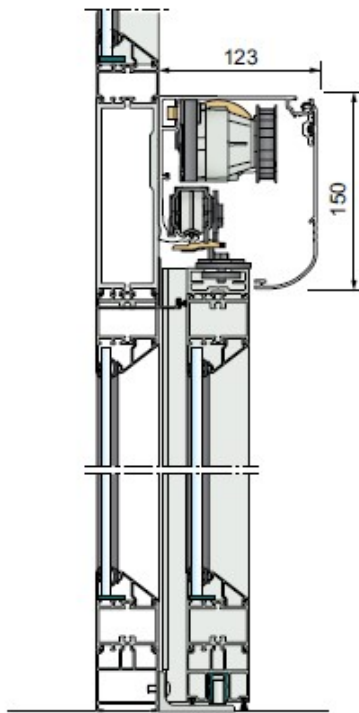
Visit us:

**Unit C Purcellsinch Industrial Estate,
Old Dublin Road, Kilkenny, R95 EH52**

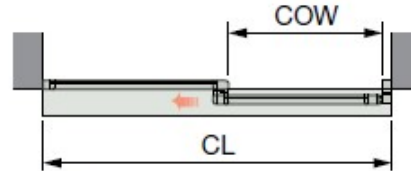
Email / Website:

**admin@actec.ie
www.actec.ie**

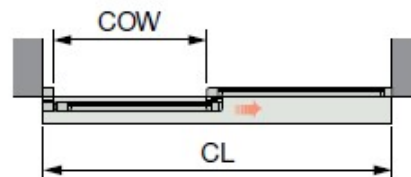
Swing / Sliding Automations



Bi-parting



Left opening



Right opening

COW = Clear opening width
CL = Cover length

Technical Specifications:

| | |
|--|----------------------------------|
| Power Supply: | 100-240Vac, +10/-10%, 50/60Hz |
| Power Consumption: | Max 250W |
| Maximum Door Weight (with optional heavy duty rollers): | 1 @ 240Kg 2 @ 200Kg |
| Ambient Temperature: | -20° to + 50° C |
| Relative Humidity (non-condensing): | Max. 85% |



Accessories

- Emergency Unit with backup battery pack
- Stainless Steel Canopy
- Motion Sensors
- Operation Mode Selector
- Electrical Locks
- Microswitch Kit
- Locked door indicator
- Fire Alarm connection
- Nurse Function (for partial opening)
- Remote Exit Control
- Radio transmitter activation of door for non-contact operation

Contact us for more information