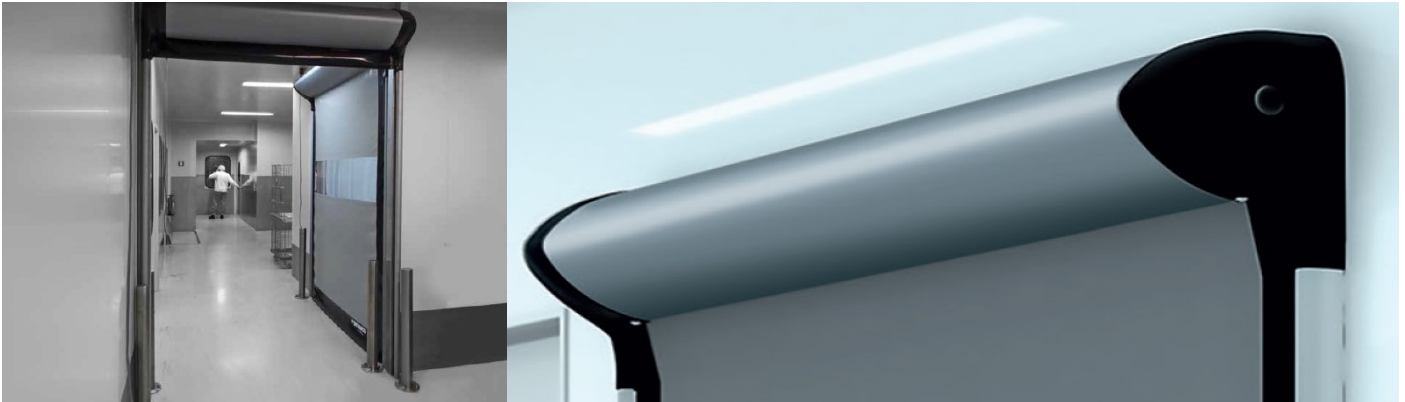


High Speed Cleanroom Door - ACRD20



The ACRD20 is a controlled environment compatible high speed door with limited air leakage. It's the ideal choice for airlocks between rooms of different air pressure profiles. The perfect sealing properties of the door provide excellent environmental control while reducing energy usage through elimination of air loss.

Slim Design, Perfect Seal

With its modern design, the ACRD20 is the slimmest high-speed cleanroom door on the market. The patented "LF" (Low Friction) technology, combined with a frequency inverter driven motor, assures a smooth operation. The patented side guides and "Bead" technology limit the air leakage far better than other designs and protect your installations against air loss, dust and dirt, meaning that the ACRD20 is suitable for a wide variety of applications.

Safety

User safety is of vital importance when installing a high speed door, and the design of the ACRD20 cleanroom door uses a flexible curtain with no rigid elements, thereby reducing an potential injury risk. Coupled with the wireless detector built into the bottom edge of the door, the door will reopen if it meets an obstacle during the closing cycle. Plus, the addition of the safety beam located 300mm from floor level should eliminate the risk of the door closing.

Ease of Maintenance

The vertical edges of the door fit into a vertical slot to minimise air leakage. Upon impact, the edges of the door will pop out of the slots allowing emergency exit. On the next activation, the door will self-repair and will return to normal operation without any maintenance technician intervention, meaning no repair costs and no downtime. Plus, the low friction technology utilised in the door means that the amount of wear and tear is minimised.

Call us:

1890 274 273

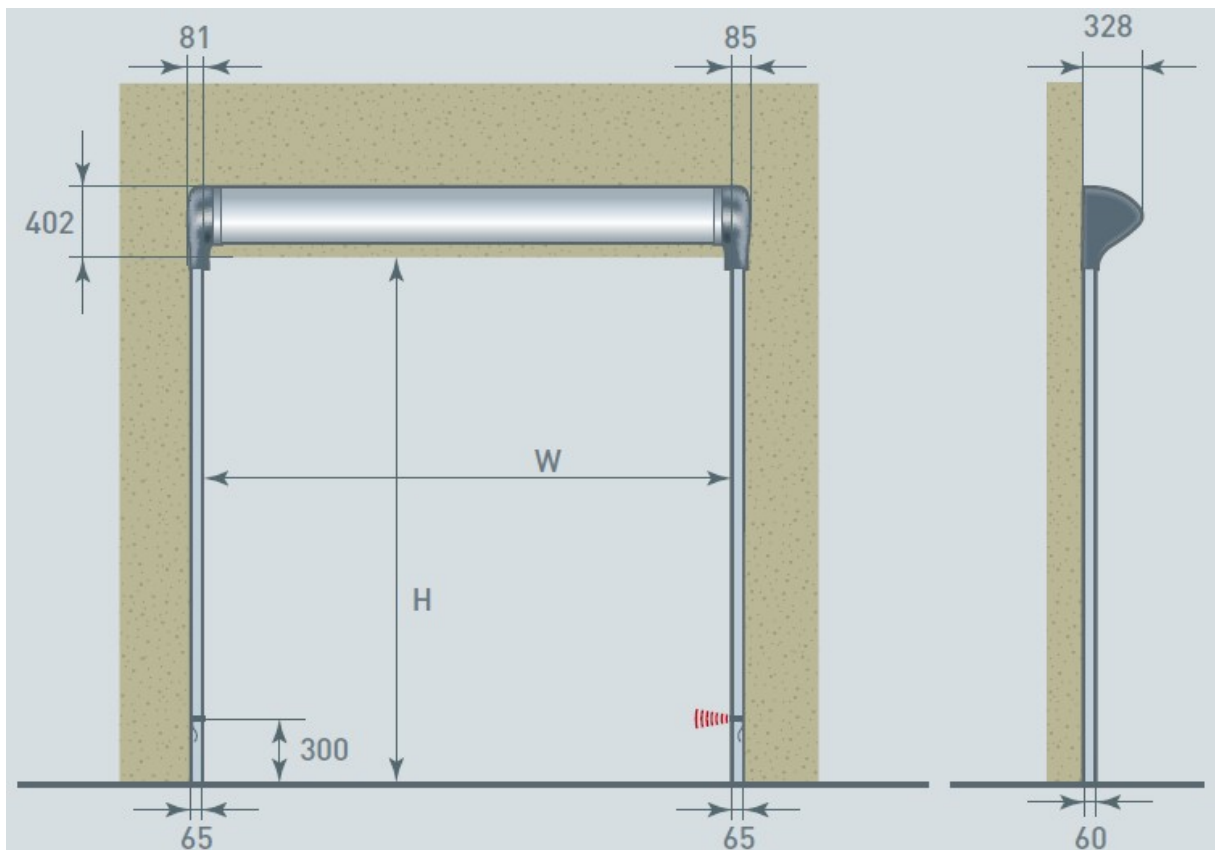
Visit us:

Unit C Purcellsinch Industrial Estate,
Old Dublin Road, Kilkenny, R95 EH52

Email / Website:

admin@actec.ie
www.actec.ie

High Speed Doors



Technical Specifications:

Max Dimensions:	W: 4000mm H: 4000mm
Opening / Closing Speed:	2700 mm/second (closing limited to 500mm/second for safety per EN16005)
Structure:	Galvanised Steel Structure (optional S/S or Powder Coating) Synthetic material cover
Temperature Range:	+ 5° to + 40° C
Power Supply:	230Vac—18A Single Phase Frequency: 50-60Hz
Bottom Edge detector:	Wireless pressure sensor with receiver in door head
Thermal Transmittance:	6.02W/m ² K

Drum: 200mm dia. PVC
3.9mm thickness

Compliant Standards

- Water permeability: EN12425 / EN12489 Result: Class 3
- Wind Load: EN12424 / EN12444 Result: Class 1 (depending on door width)
- Wind Permeability: EN12426 / AN12427 Result: Class 3/4
- Safe Openings: EN12453 / EN12445 Result: Pass
- Mechanical Resistance: EN12604 / EN12605 Result: Pass
- Unintended movements: EN12604 / EN12605 Result: Pass
- Performed Cycles: EN12604 / EN12605: 1,000,000 Cycles

Alternatives

ACRD21 High Speed Cleanroom Door with deeper overhead canopy and slower opening speed - more economical installation where lower specification is acceptable.

Contact us for more information

Product Comparison Table:

	ACRD20 Cleanroom Door:	Efaflex SRT CR Cleanroom Door
Max Dimensions:	W: 4000mm H: 4000mm	W: 3000mm H: 3500mm
Opening Speed:	2700 mm/second max.	1000 mm/second max.
Closing Speed:	2700 mm/second max. (limited to 500 mm/second for safety as per EN16005	400 mm/second closing max.
Structure:	Galvanised Steel Structure (optional Stainless Steel or Powder Coating) Synthetic material cover	Powder Coating (optional Stainless Steel)
Temperature Range:	+ 5° to + 40° C	+ 5° to + 30° C
Bottom Edge detector:	Wireless pressure sensor with receiver in door head	Pressure sensor with receiver in door head
Safety:	Edge Contact Sensor as standard Light Barrier as standard	Edge Contact Sensor as standard Light Barrier as optional extra
Air Leakage:	31.5m ³ /h at a pressure difference of 50Pa for door size 3000mm x 3500mm Based on EN 12426 class 4 overpressure	40m ³ /h at a pressure difference of 30Pa for door size 3000mm x 3500mm
Self Repairing Breakout:	As Standard	Not Available
Additional Certification:	Water permeability: EN12425 / EN12489 Result: Class 3 Wind Load: EN12424 / EN12444 Result: Class 1 (depending on door width) Wind Permeability: EN12426 / AN12427 Result: Class 3/4 Safe Openings: EN12453 / EN12445 Result: Pass Mechanical Resistance: EN12604 / EN12605 Result: Pass Unintended movements: EN12604 / EN12605 Result: Pass Performed Cycles: EN12604 / EN12605: 1,000,000 Cycles	None Noted

Call us:

1890 274 273

Visit us:

Unit C Purcellsinch Industrial Estate,
Old Dublin Road, Kilkenny, R95 EH52

Email / Website:

admin@actec.ie
www.actec.ie